



Description

! " \$ %

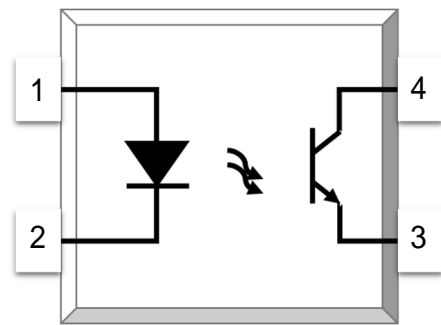
Features

& ' () * +
 , * - %
 ,
 . / ,
 * 1 , &
 &
 + 2 0
 * %
 32 . 320 ''
) 1 . 14 (' ' . . 5) 1 (66 . 7
 , 8 , 9 : ; "0\$:66;6

Applications

-
-
- &
- <

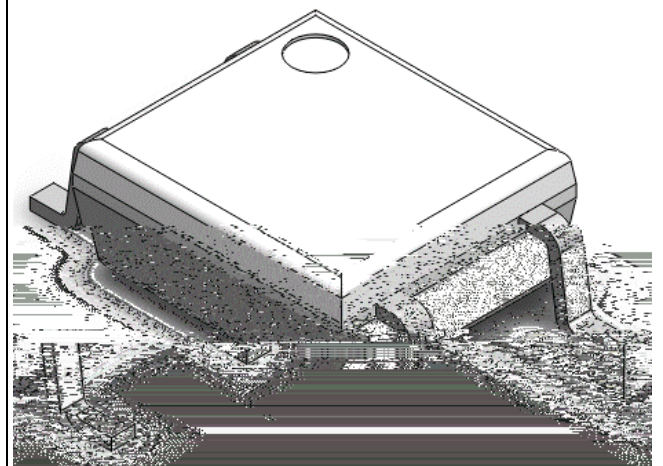
SCHEMATIC



PIN DEFINITION

1. Anode
2. Cathode
3. Emitter
4. Collector

PAC A!E O" T#INE





A 'SO#"TE MA(IM"M)ATIN!S

* +1 1*	=+ : 2) 231	34>	4 1
>4 3				
? ,	>?	(
! ? ,	>?	0		0
* %))*)	
>	>	0((#	
3 3				
, .1)),1	6()	
1 . ,))1,	')	
, ,	> ,	(
		0 (#	
, ++ 4				
		@((#	
>))	(()	@
		. A00(/ ,	
		. A0@	/ ,	
		@ (/ ,	

! "#\$ %
&' () ! " * + , - .



E#ECT) ICA# OPTICA# CHA) ACTE) ISTICS at Ta*2+,C

* +1 1*	=+ : 2	+>4	= " + B" 34>	1 , 4 > > 4	4 1	
>4 3						
?))?	.	0"@ 0")	>?C0(
* % ,	>*	.	0(D) *C)		
> ,	,	.	0(. ?)C(\$ CO!&E		
3 3						
, ! ,	>,1	.	. 0(() , 1C@()\$>?C(
, .1 : !)	:) ,1	6(. .)		>,C("0 \$>?C(
1 ' , : !)	:) 1,	' . .)		>1C("0 \$>?C(
* 4 ?1* , & * , 1*> > ,						
,	:	,	,	F	>?C \$) , 1C)	
						(. ((
						6(. 0 (
						0 (. @ (
						@((. ((
						((. ((
						. 0@
						0((. @((
						0 (. @ (
@ (. ((
, .1)) , 15 7	.	(" ("@)	>?C@ (\$>, CO		
> *	*>	0(GO@ 0(GO	. H	, (()\$ (A (F *"&"		
? ,	,>	.	(" 0 ?)C(\$ CO+&E		
, . ? <		.	6(. !&E) , 1C@)\$>, C@ *2CO((H\$. :		
* 5* 7		.	06 D) , 1C@)\$>, C@		
* 5? 7		.	06 D	*2CO((H		

(/ 0
+ (/ +



CHARACTERISTICS - ES

Fig. 1 Forward Current vs. Ambient Temperature

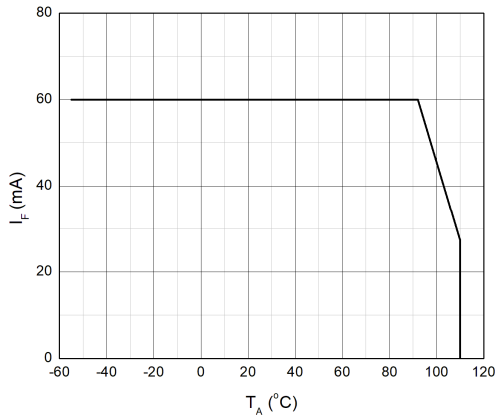


Fig. 2 Collector Power Dissipation vs. Ambient Temperature

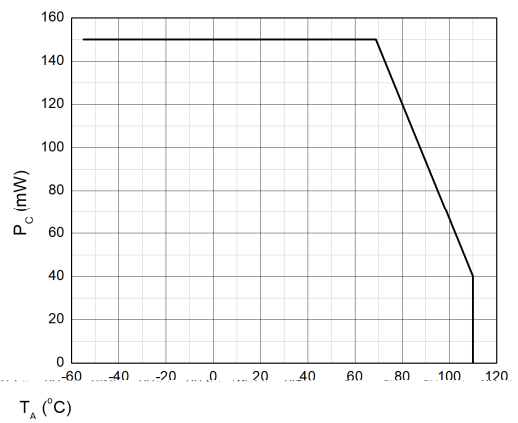


Fig. 3 Forward Current vs. Forward Voltage

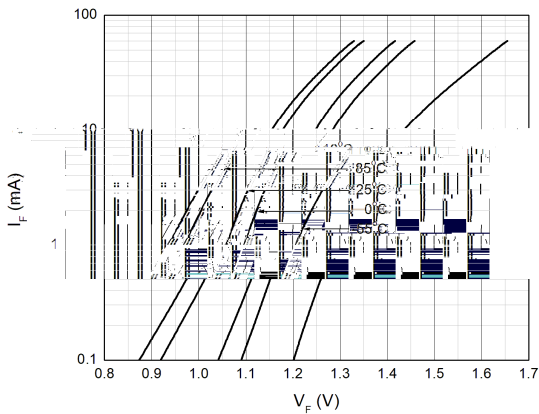


Fig. 4 Collector Dark Current vs. Ambient Temperature

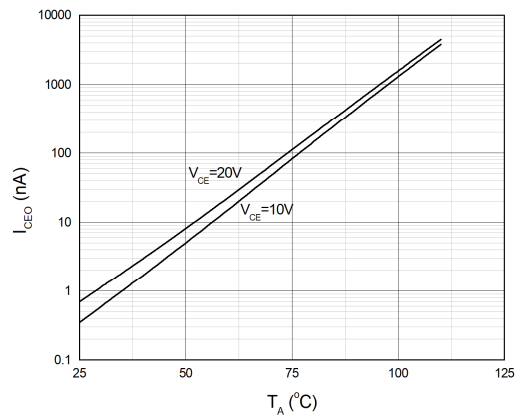


Fig. 5 Collector Current vs. Collector-Emitter Voltage

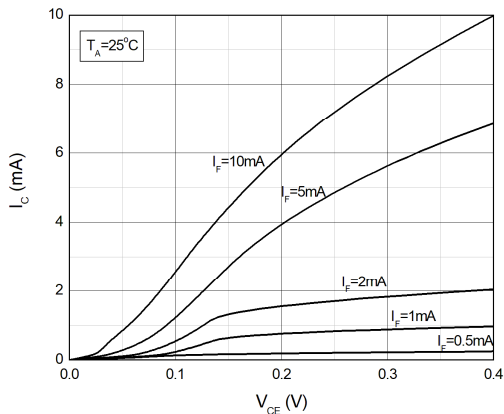
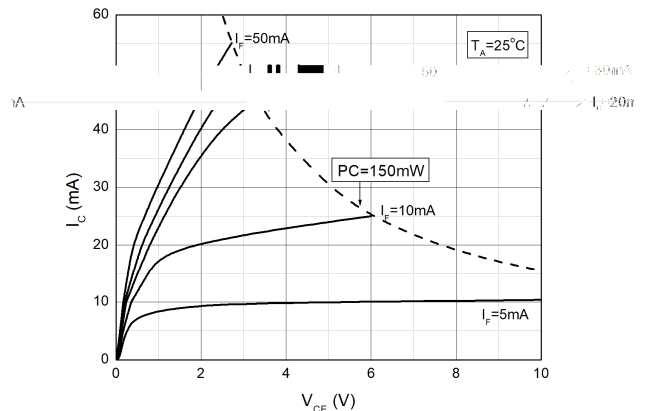


Fig. 6 Collector Current vs. Collector-Emitter Voltage





CHARACTERISTIC CURVES

Fig. 5 Normalized Current Transfer Ratio vs. Base Current

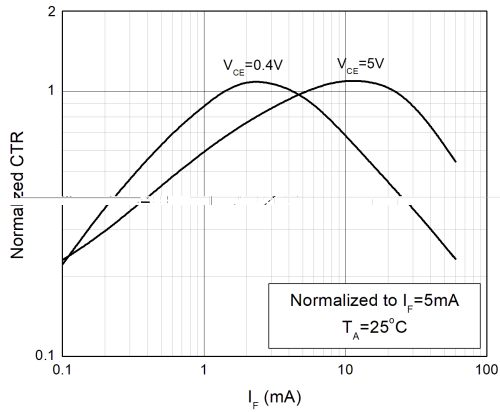


Fig. 8 Normalized Current Transfer Ratio vs. Ambient Temperature

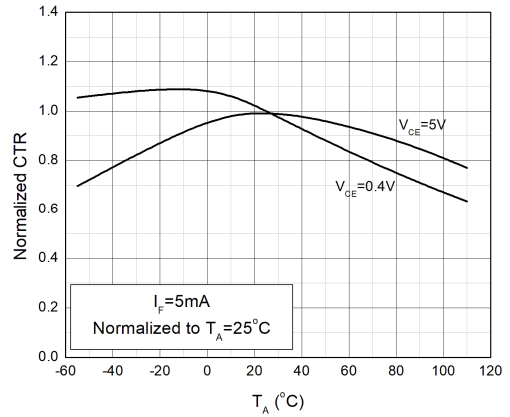


Fig. 9 Collector-Emitter Saturation Voltage vs. Ambient Temperature

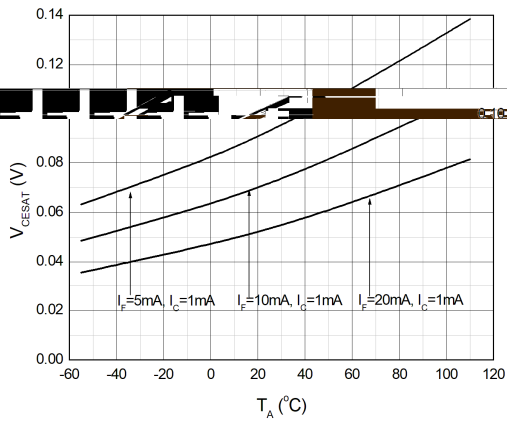


Fig. 10 Switching Time vs. Load Resistance

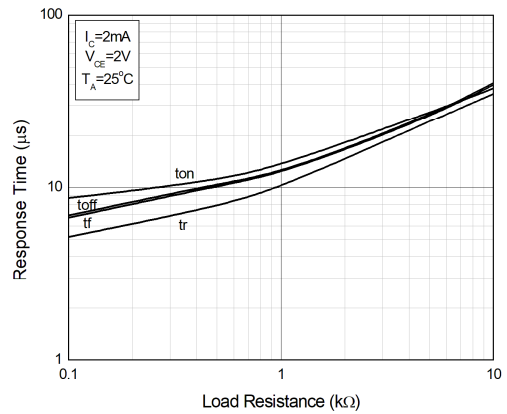
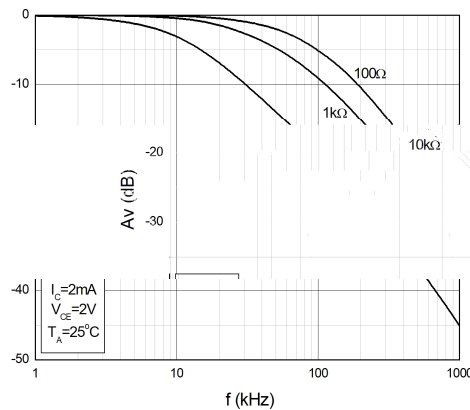


Fig. 11 Frequency Response



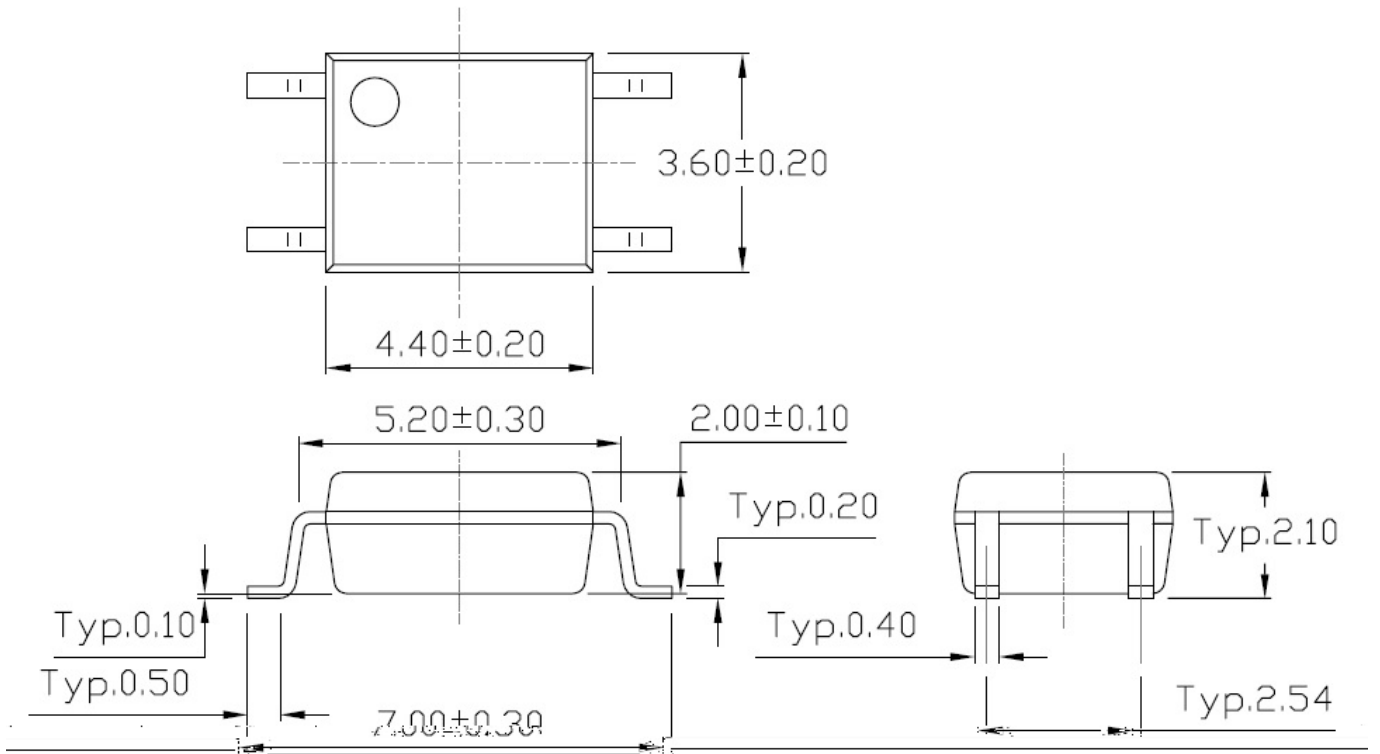


TEST CIRCUITS

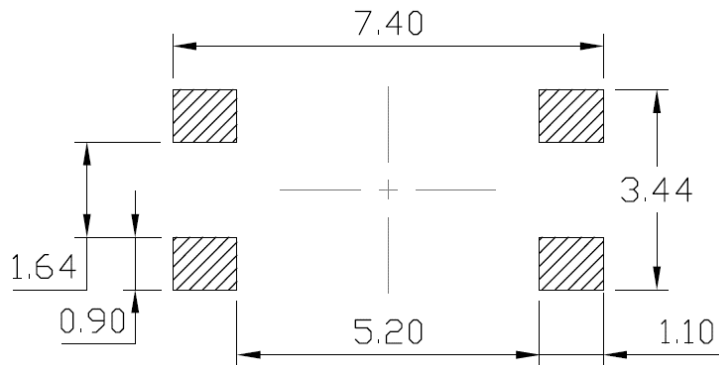
Fig. 12 Test Circuit of the Time

Fig. 13 Circuit of the Time

PAC A ! E DIMENSIONS (Dimension\$ in mm &nle\$\$ other / i\$e \$tated=

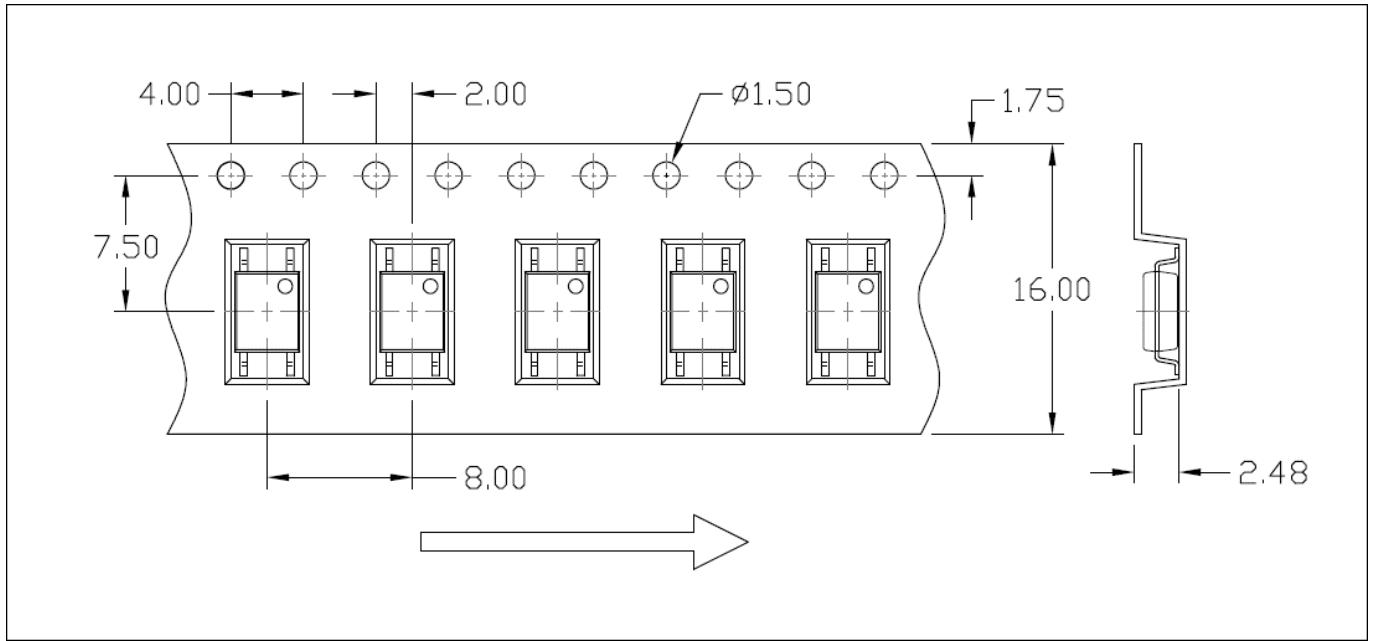


) ecommended Solder Ma\$2 (Dimension\$ in mm &nle\$\$ other / i\$e \$tated=

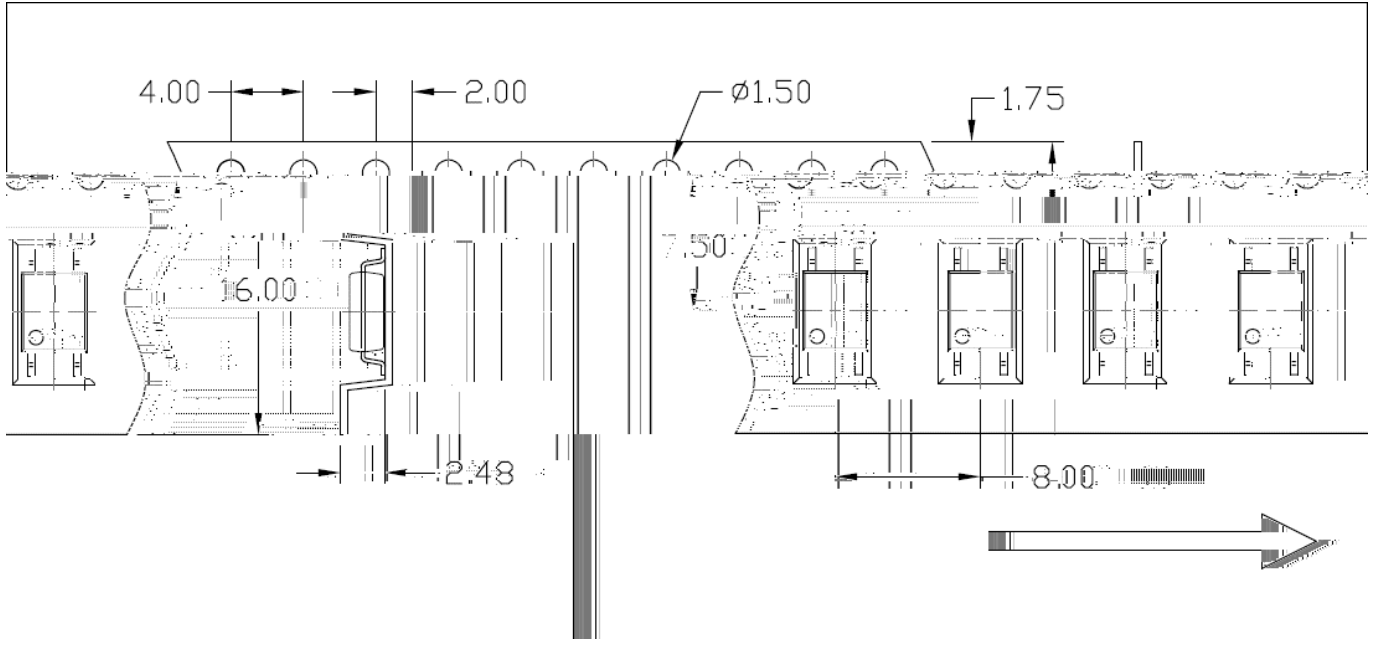


CA) IE) TAPE SPECIFICATIONS (Dimension\$ in mm &nle\$\$ other / ise \$tated=

O%tion T1

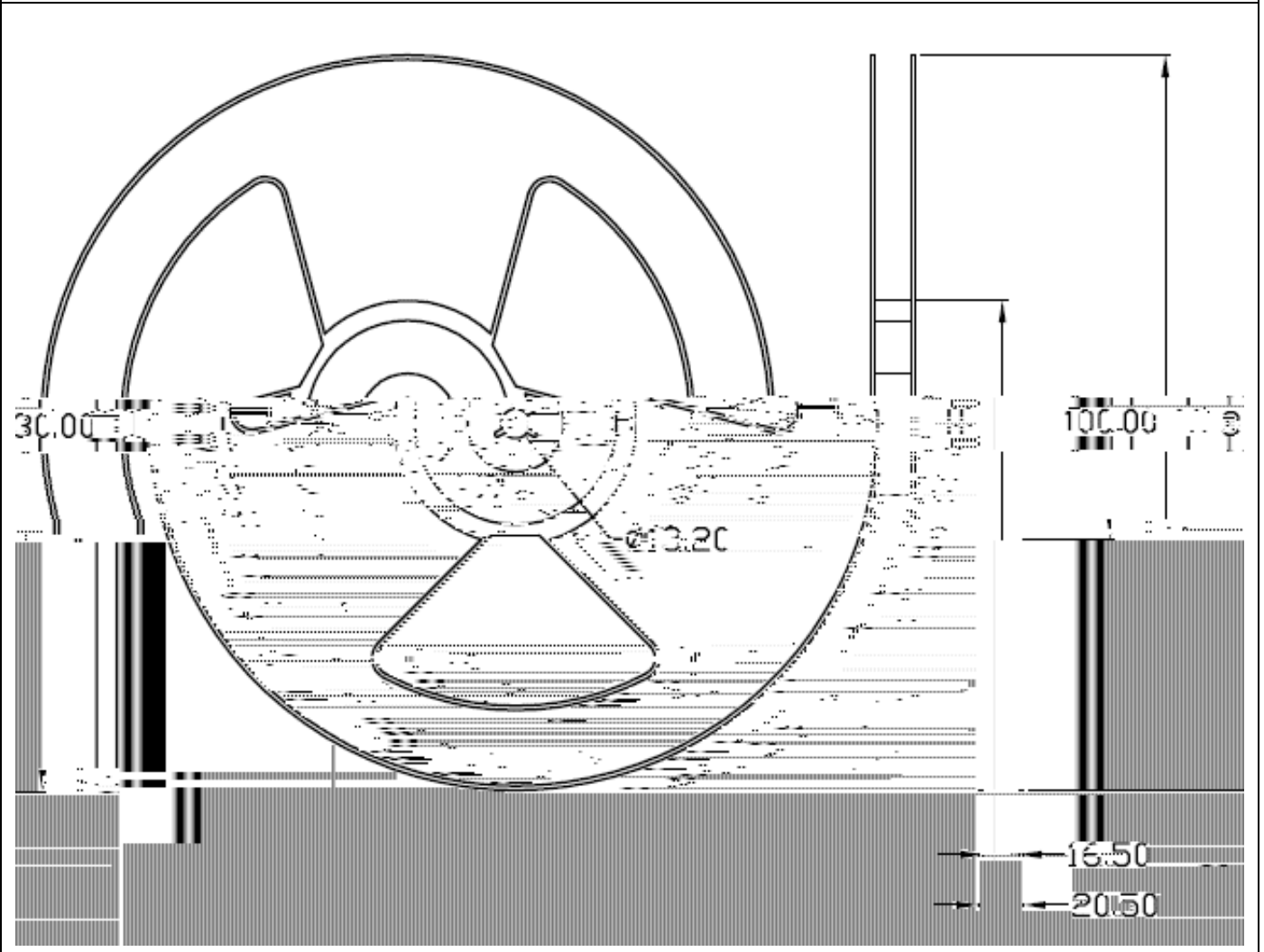


O%tion T2



) EE# SPECIFICATIONS (Dimension\$ in mm &nle\$\$ other / i\$e \$tated=

O%tion T1 > T2





' O(SPECIFICATIONS () eel T<%e=

Inner ' o?

1232" * - 2 - 2 -

O&ter ' o?

1232" *+ 2 4 2 4



OBJECT INFORMATION

OBJECT PROFILE

Profile Feature

Sn3P1 Assembly Profile

P13Free Assembly



DISC#AIME)

2> & 4>4 % < \$ \$ " 2> & 4>4
% ! "
% "
2> & 4>4 ! \$ " -
- \$ 2> & 4>4 5 7
\$ 5 7 \$ \$
< \$ 5 7 \$
\$ < \$ % \$!% < \$
\$. " "
\$ \$ % \$ \$ "
% L "
2> & 4>4 < "
> || "
% % % "
% " \$ \$ % "
|| - " -
2> & 4>4 || \$
- " ! \$. ">
"