

## SOT-23 Plastic-Encapsulate MOSFETS

°C

Á	Á	Á	Á	Á	Á	Á
Ö!æä}Ë•[~!&^!á!^æ\á[ ]}ÁÇ[ cæ*^Á	Xçóυουύ	ΧούÁΜÁΕΧΕÁΟÁΜΕΓ Í€μCΕÁ	ËΗΕÁ			ΧÁ
Z^! [Á*æc^!ç[ cæ*^Á!á!æä}Á&~!;!^}cÁ	Qουύ	ΧούÁΜΕΓ Í ΧΕΧούÁΜÁΕΧÁ			ËFÁ	μCΕÁ
Õæc^Ë•[~!&^!á!^æ\æ*^Á&~!;!^}cÁ	Qουύ	ΧούÁΜÍFGXÉÁΧούÁΜÁΕΧÁ			†F€ΕÁ	}CΕÁ
Ö!æä}Ë•[~!&^!Á[ ]}Ë!^!á!cæ}&^Á Ç} [c^ÁFDÁ	Üουç[ ]d'	ΧούÁΜΕFΕΧΕÁΟÁΜΕ Í ÈGCEÁ ΧούÁΜΕ Í È Í ΧΕÁΟÁΜΕ Í CΕÁ ΧούÁΜΕΓ È Í ΧΕΟÁΜΕFCEÁ		ÍÁ	Í ÍÁ	{ ð
Ø! ; æ!á!c!æ } & [ ] á~&cæ } &^ÁÇ } [c^ÁFD	*ου	ΧούÁΜΕ Í ΧΕÁΟÁΜΕ Í CΕÁ	ËÁ			ÙÁ
Õæc^!Ác@!^!•@[ !á!ç[ cæ*^Á	XóυçødÁ	ΧούÁΜΧούÉÁΟÁΜΕΓ Í €μCΕÁ	ÈÈÈ6 ÁÁÁÁÁÁÁÁÈÈÈÁ	ÈÈÈÈÁ		ΧÁ
Á Ç } [c^ÁGDÁ						
Q} ] ~c!&æ ] æ&áçæ } &^Á	Ô!..	ΧούÁΜΕF Í ΧΕΧούÁΜΕΧΕ-ÁMFTP : Á		J Í I		]ØÁ
U~c] ~c!&æ ] æ&áçæ } &^Á	Ô[..			FFÍ		]ØÁ
Ü^ç!^!^!Ác!æ } •-!Á&æ } æ&áçæ } &^Á	Ô!..			ËË		]ØÁ
Á Ç } [c^ÁGDÁ						
V~!}Ë[ ] Á!á!æ^!Ác! { ^Á	caç[ ]dÁ	ΧούΜΕFΕΧΕΧούΜΕF Í ΧΕÁ ÜsMHÈÍ ÈÜóøpMÍ Á			ËÈHÁ	}•Á
V~!}Ë[ ] Á!á!•^!Ác! { ^Á	c!Á				HÈGÁ	}•Á
V~!}Ë[ ] --Á!á!æ^!Ác! { ^Á	caç[ ]-dÁ				HÍÈGÁ	}•Á
V~!}Ë[ ] --Á!æ  ÁVá { ^Á	c-				FGÁ	}•Á
Ö!á!Á- [! ; æ!á!ç[ cæ*^ÁÇ } [c^ÁFD	Xúó!Á	QúΜΕFCEÉXóúΜΕΧÁ			ËFÁ	ΧÁ

FÈ Ü~!^!ÁV^!cÁKÁÜ~!^!Á ; áac@mH€€μ•ÈÁ~c^Á&^!mGÃÈ

GÈ V@^!Á]æ!æ { ^c^!•Á@æç^Á } [Á ; æ^Áç[Áç^!á!~È

## Typical Characteristics

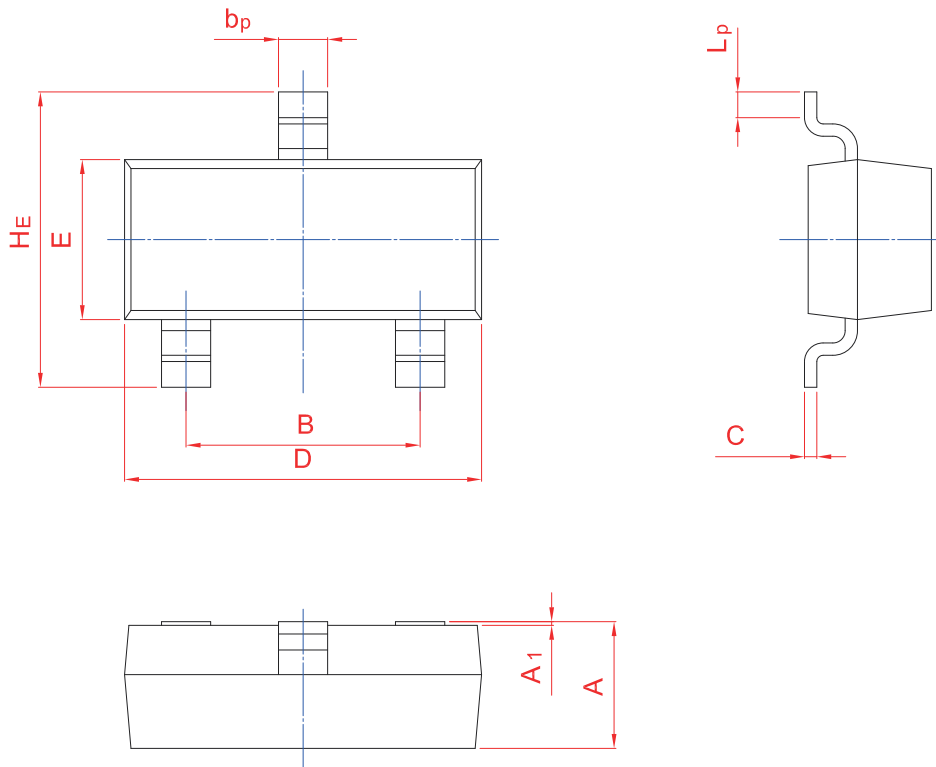
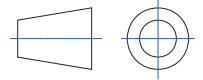
---



## PACKAGE OUTLINE<sup>A</sup>

Plastic surface mounted package; 3 leads

SOT-23



UNIT	A	B	b <sub>p</sub>	C	D	E	H <sub>E</sub>	A <sub>1</sub>	L <sub>p</sub>
mm	1.40	2.04	0.50	0.19	3.10	1.65	3.00	0.100	0.50
	0.95	1.78	0.35	0.08	2.70	1.20	2.20	0.013	0.20

## DISCLAIMER

- Before you use our Products, you are requested to carefully read this document and fully understand its contents. BLUECOLOUR shall not be in any way responsible or liable for failure, malfunction or accident arising BLUECOLOUR's
- All information contained in this document is current as of the issuing date and subject to change without any prior notice. Before purchasing or using BLUECOLOUR's Products, please confirm the latest information with a BLUECOLOUR sales representative.