



Description

The TD101X series combine an AlGaAs infrared emitting diode as the emitter which is optically coupled to a silicon planar phototransistor detector in a plastic LSOP4 package with the robust coplanar double mold structure. TD101X series provide the most stable isolation feature.

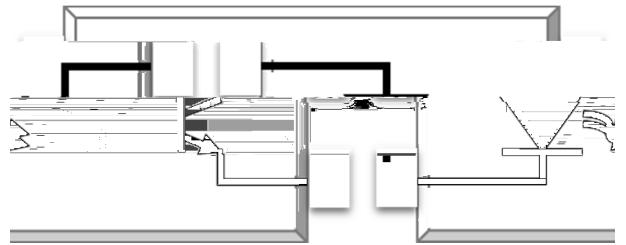
Features

- High isolation (1000) * +S
- Temperature stability available see order information
- DC input with transistor output
- Operating temperature range: (-40°C to 110°C)
- Load current: 10mA, RoHS compliance
- UL class 1
- Regulatory Approvals
 - 2L : 2L1(33)
 - D1 : 1450313.(6)D10771.(8)
 - 9 , : G ; !< !=#1% G ; 77<7

Applications

- Switch mode power supplies
- Programmable controllers
- Household appliances
- Office equipment

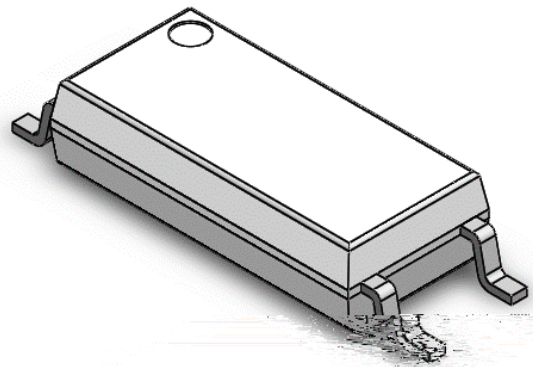
SCHEMATIC

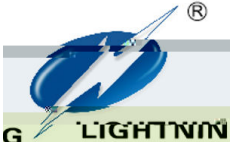


PIN DEFINITION

1. Anode
2. Cathode
3. Emitter
4. Collector

PAC A ! E O " T # I N E





LSOP4, DC Input, Photo Transistor Coupler

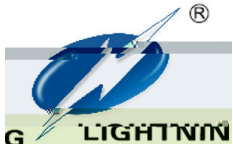
A ' SO# " TE MA (IM " M) ATIN ! S				
A * A + 1 T 1 *	S @ + ; OL) AL 2 1	2 4 AT	4 OT 1
A 4 2 T				
Borward , urrent	A _B	50	mA	
ea" Borward , urrent	A _B	1	A	1
* e&erse) oltage) *	5)	
Anput ower Dissipation	A	100	m\$	
O 2 T 2 T				
, ollector . 1 mitter) oltage) , 1 0	70)	
1 mitter . , ollector) oltage) 1 , 0	3)	
, ollector , urrent	A ,	(0	mA	
Output ower Dissipation	o	1 (0	m\$	
, O + + O 4				
Total ower Dissipation	tot	? (0	m\$	
Asolation) oltage) iso	(000) rms	?
Operating Temperature	Topr	. ((C 1 1 0	/ ,	
Storage Temperature	Tstg	. ((C 1 ? (/ ,	
Soldering Temperature	Tsol	? 50	/ ,	

Note 1. 100µs pulse, 100 ! "#e\$uenc%

Note 2. A & ' o# 1 () nute, R. . * +0 , -0.

0\$. Collector3emitter -olta . e

0\$. Collector3emitt() - 2.33292 (F) 0.480 - 1



CHARACTERISTICS - ES

Fig. 5 Normalized Current Transfer Ratio vs. Forward Current

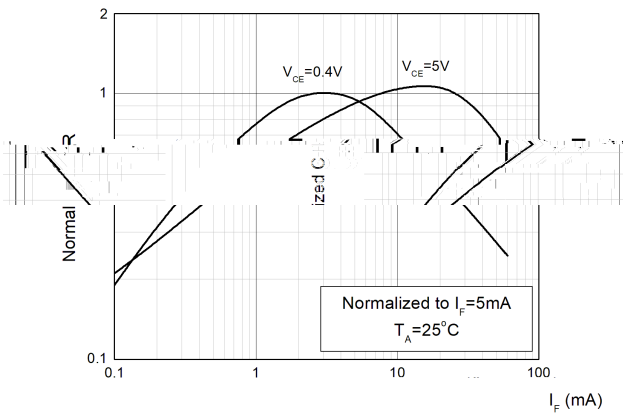


Fig. 8 Normalized Current Transfer Ratio vs. Ambient Temperature

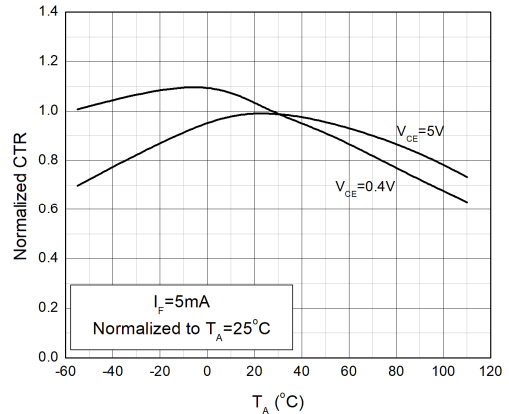


Fig. 9 Collector-Emitter Saturation Voltage vs. Ambient Temperature

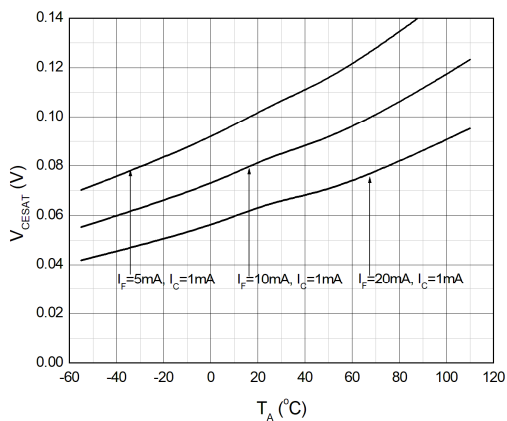


Fig. 10 Switching Time vs. Load Resistance

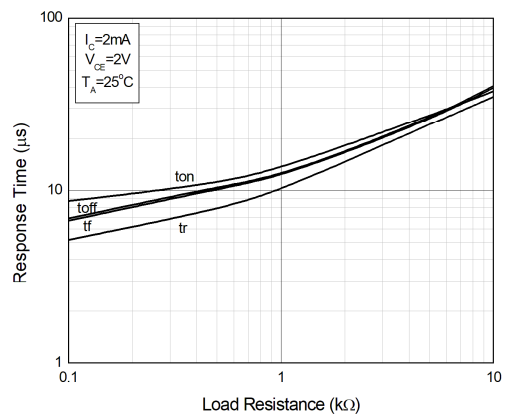
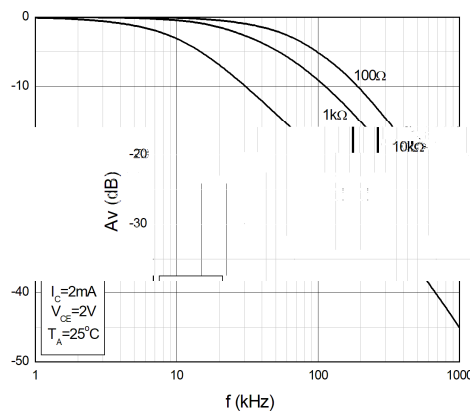
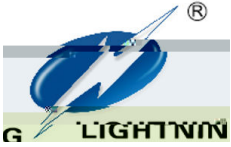


Fig. 11 Frequency Response





TEST CIRCUITS

Fig. 12 Test Circuit of Rise Time

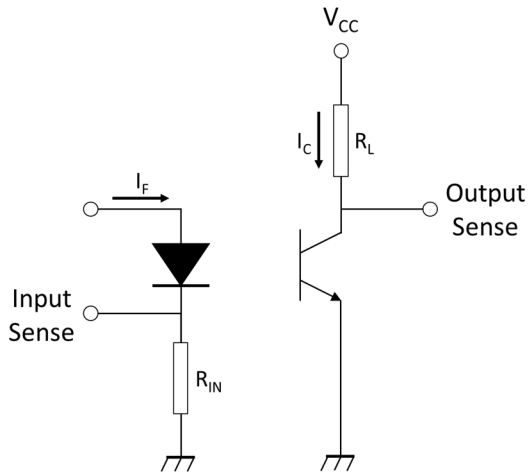


Fig. 13 Characteristic of Rise Time

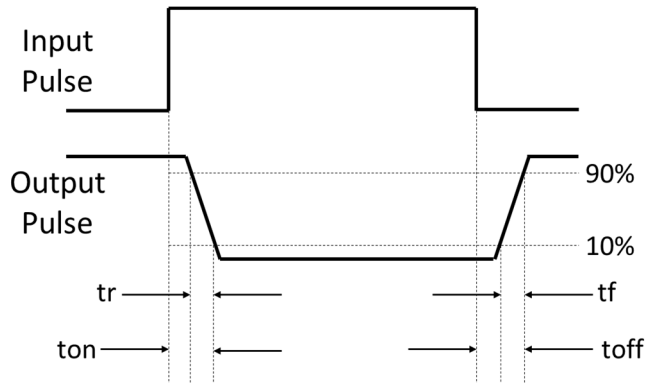
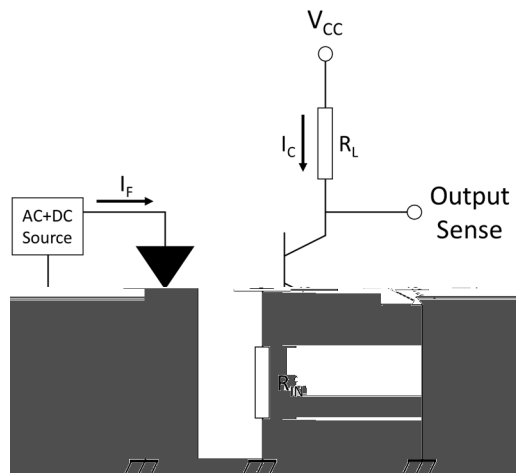
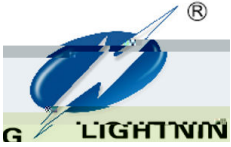
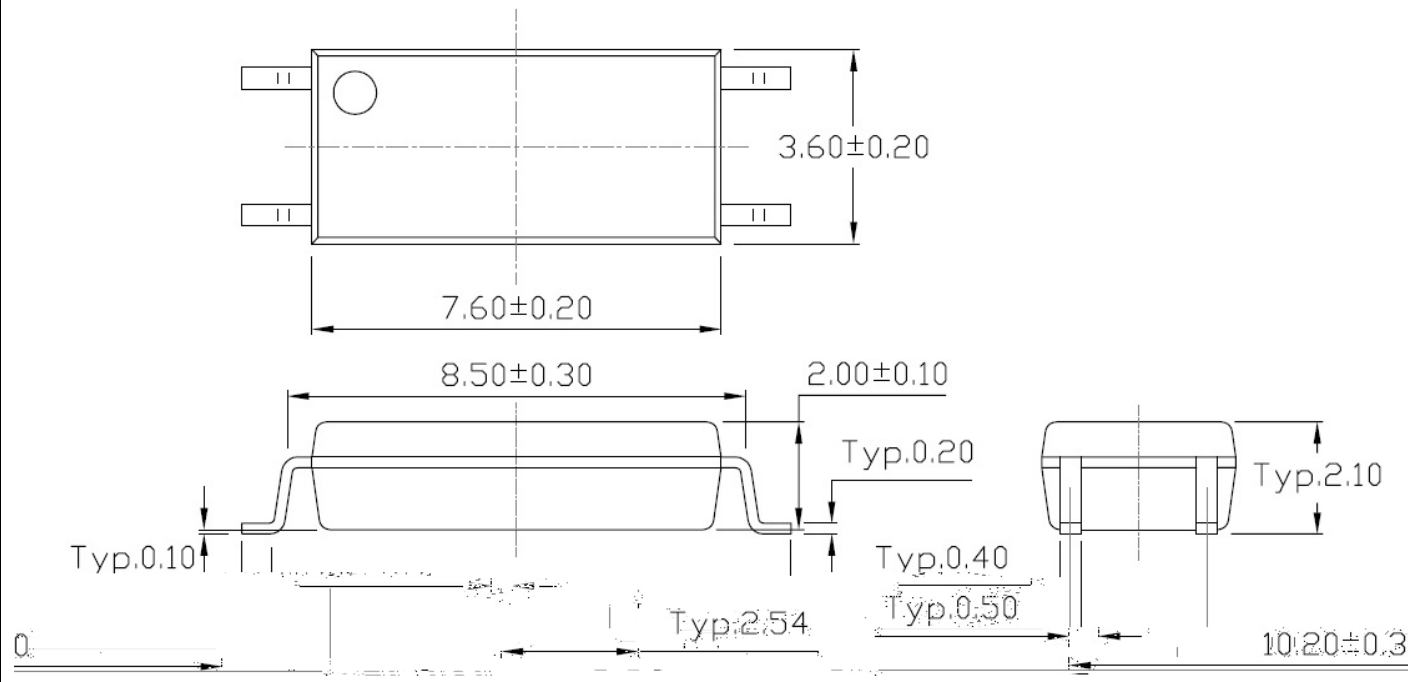


Fig. 14 Test Circuit of Frequency

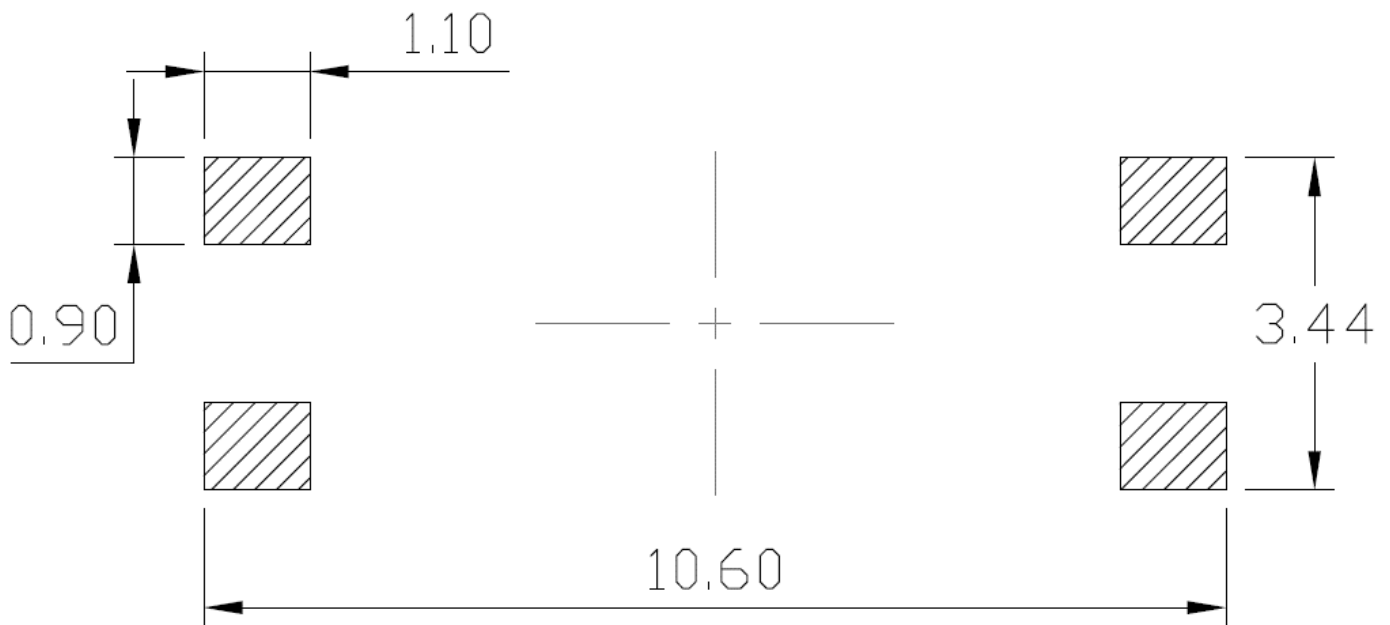


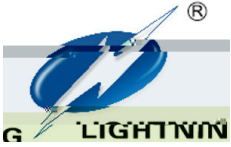


PAC A E DIMENSIONS Dimension in mm &le\$ other / i\$e \$tated=



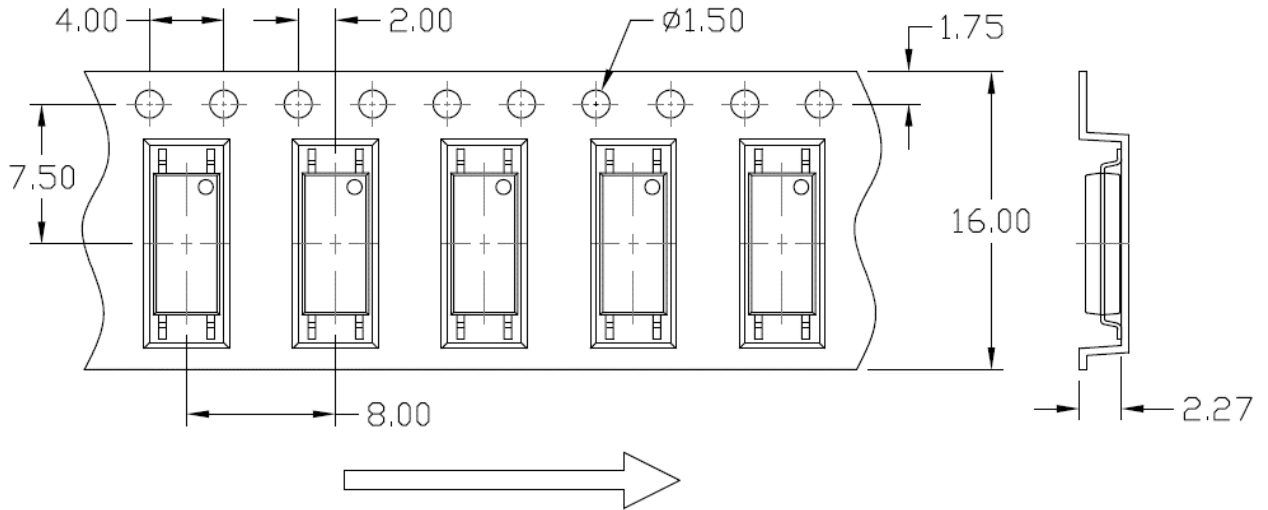
RECOMMENDED SOLDER MASK Dimension in mm &le\$ other / i\$e \$tated=



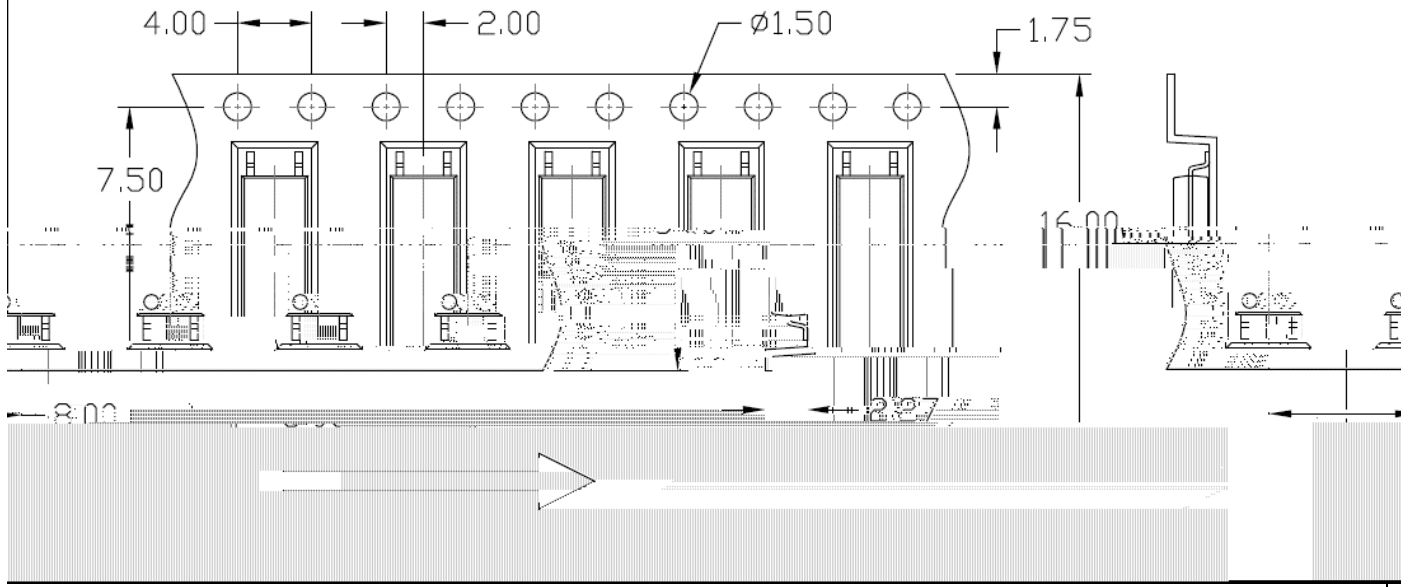


CA)) IE) TAPE SPECIFICATIONS Dimension\$ in mm &nle\$\$ other / i\$e \$tated=

O%tion T1



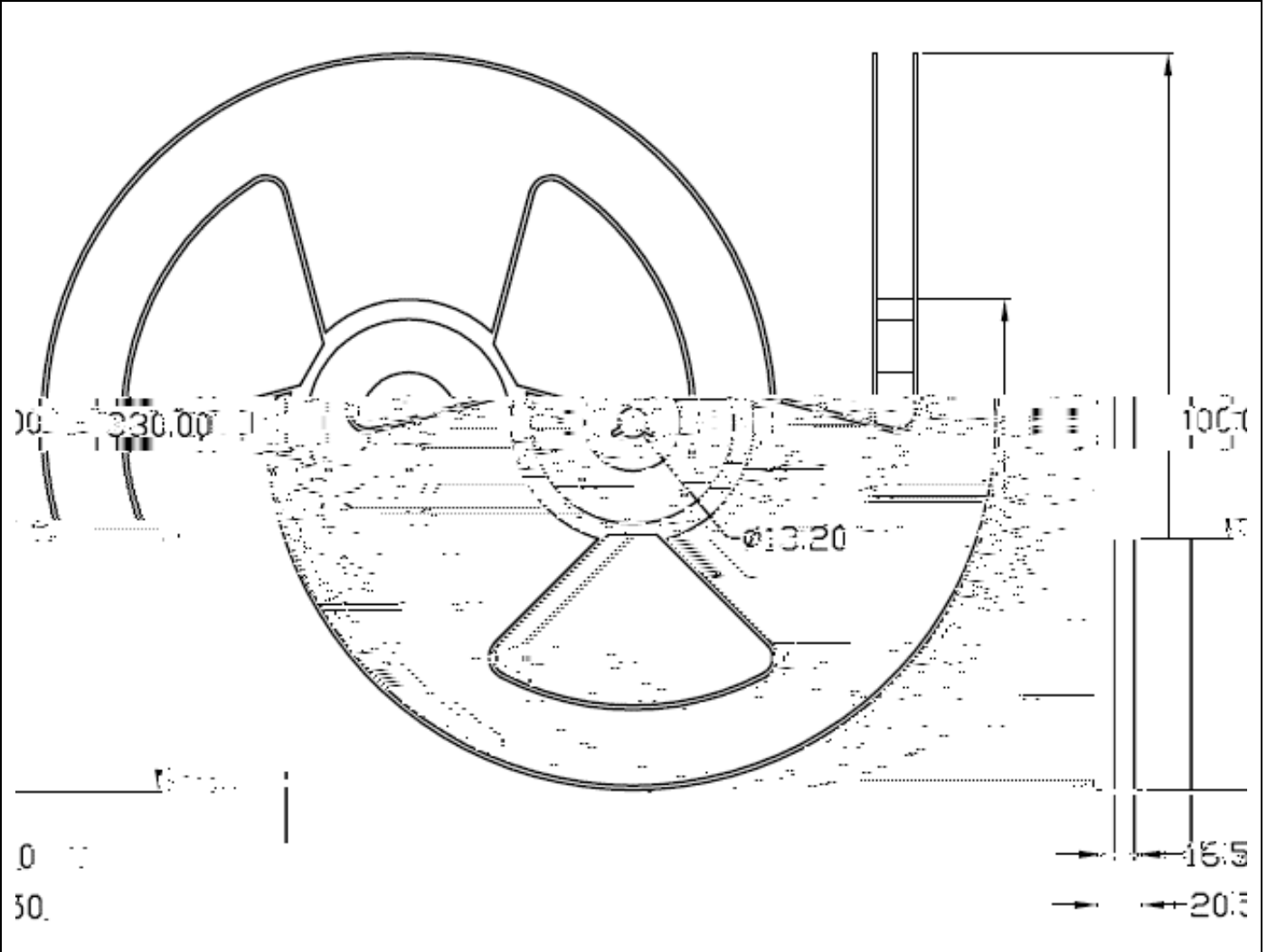
O%tion T2

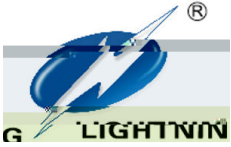




MECHANICAL SPECIFICATIONS Dimensions in mm unless otherwise stated

Option T1 > T2





LSOP4, DC Input, Photo Transistor Coupler

1. ELECTRICAL SPECIFICATIONS

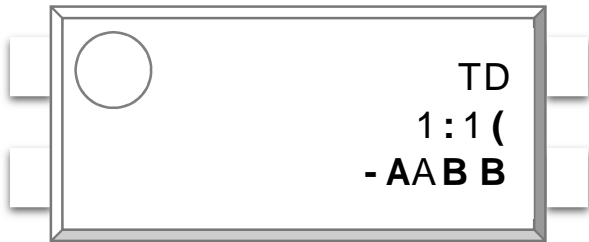
Inner Pin

2.3W 3 * /-cm 3 /-cm 3 -.9cm



OPTIONAL AND MAIN INFORMATION

MAIN INFORMATION



TD @ Company Abbr.
1:1 @ Part Number
- @ -DE Option
A @ Fiscal Year
A @ Manufacturing Code
BB @ B or B2

OPTIONAL INFORMATION

PACKAGE INFORMATION

TD1:1 (CD=3! -

TD : , company Abbr#
101X : *an" 60J1J?J=J!J(J5J3J7J<8
K : Tape and *eel Option 6T1JT?8
G : Green
) :)D1 Option 6) or 4one8

福建天电光电有限公司
FUJIAN LIGHTNING OPTOELECTRONIC CO., LTD.

Part No : XXXXXXXXXXXX Bin Code : X

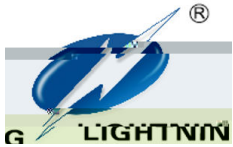
Lot No : XXXXXXXXXXXX

Date Code : XXXX

Q'ty : XXXX pcs

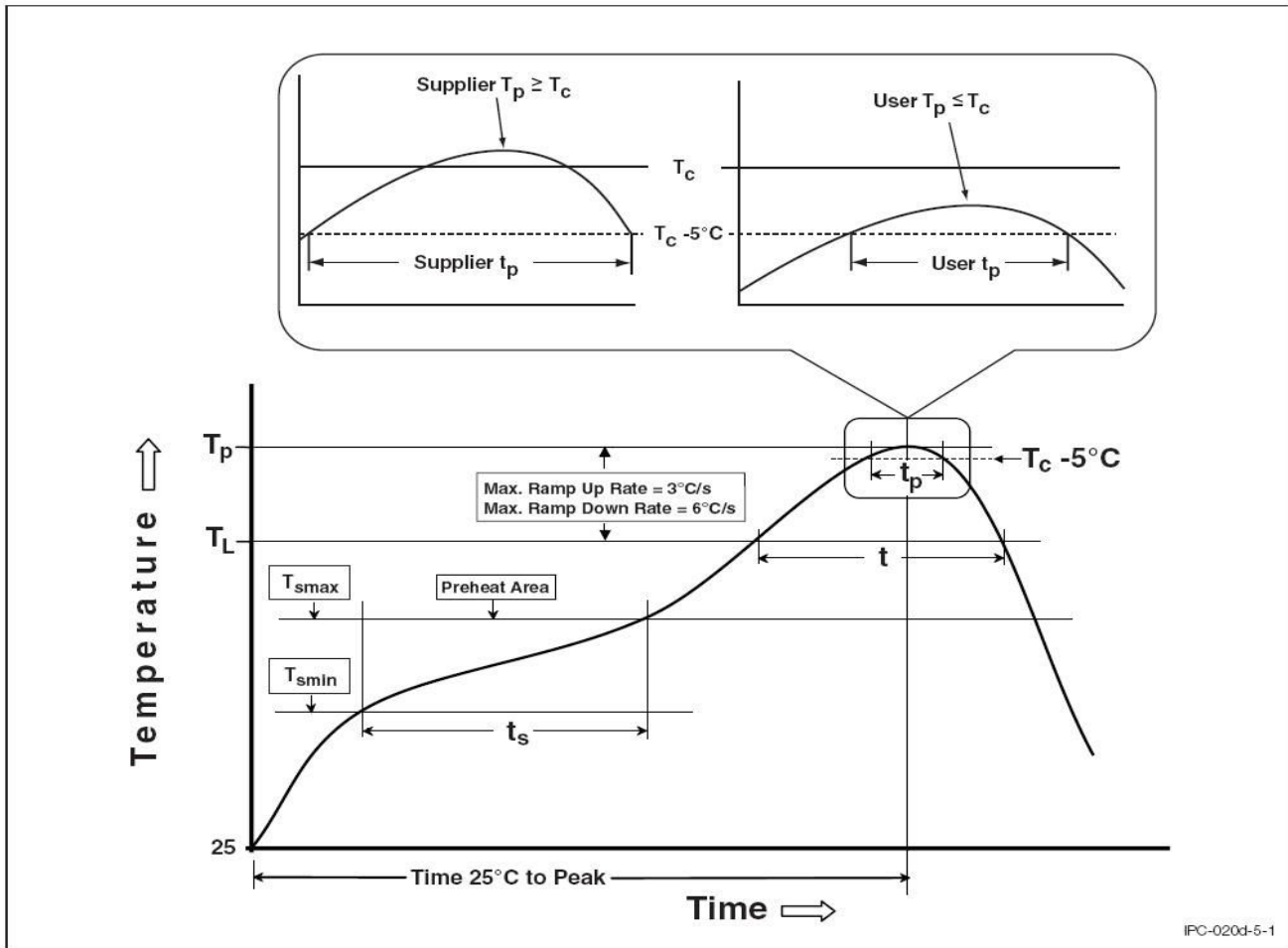
PACKAGE ANTIFAKE

Option	E&antit<	E&antit< F Inner 1o?	E&antit< F O&ter 1o?
T1	=000 2nitsJ *eel	= *eelsJanner bo-	(Anner bo-JOuter bo- D ! (" 2nits
T?	=000 2nitsJ *eel	= *eelsJanner bo-	(Anner bo-JOuter bo- D ! (" 2nits



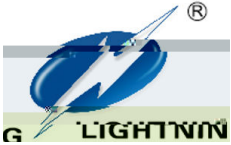
OPERATIONAL INFORMATION

OPERATIONAL INFORMATION



IPC-020d-5-1

Profile Feature	Sn3P1 Assembly Profile	P13Free Assembly Profile
Temperature +in# 6T _{min}	100	1 (0/ ,
Temperature +a-# 6T _{max}	1 (0	?00/ ,
Time 6ts from 6T _{min} to T _{max}	50.1?0 seconds	50.1?0 seconds
* amp.up * ate 6t _L to t 8	=/ , Jsecond ma-#	=/ , Jsecond ma-#
Liquidous Temperature 6TL	17=/ ,	?13/ ,
Time 6t _L + aintained Abo&e 6TL	50 : 1 (0 seconds	50 : 1 (0 seconds
ea" ;ody ac"age Temperature	?=(/ , L0/ , J.(/ ,	?50/ , L0/ , J.(/ ,
Time 6t 8 within (/ , of ?50/ ,	?0 seconds	=0 seconds
* amp.down * ate 6T to TL	5/ , Jsecond ma-	5/ , Jsecond ma-
Time ?(/ , to ea" Temperature	5 minutes ma-#	7 minutes ma-#



LSOP4, DC Input, Photo Transistor Coupler

DISC#AIME)

LAG ' T4A4G is continually improving the quality, reliability, function and design. LAG ' T4A4G reserves the right to make changes without further notices.

The characteristic curves shown in this datasheet are representing typical performance which are not guaranteed.

LAG ' T4A4G makes no warranty, representation or guarantee regarding the suitability of the products for any particular purpose or the continuing production of any product. To the maximum extent permitted by applicable law, LAG ' T4A4G disclaims any and all liability arising out of the application or use of any product, any and all liability, including without limitation special, consequential or incidental damages, and any and all implied warranties, including warranties of fitness for particular

The products shown in this publication are designed for the general use in electronic applications such as office automation, equipment, communications devices, audio & visual equipment, electrical application and instrumentation purpose, non-infringement and merchantability.

This product is not intended to be used for military, aircraft, automotive, medical, life sustaining or lifesaving applications or any other application which can result in human injury or death.

Please contact LAG ' T4A4G sales agent for special application request.

Immersion unit's body in solder paste is not recommended.

Parameters provided in datasheets may vary in different applications and performance may vary over time. All operating parameters, including typical parameters, must be validated in each customer application by the customer's technical experts. Product specifications do not expand or otherwise modify LAG ' T4A4G's terms and conditions of purchase, including but not limited to the warranty expressed therein.

Discoloration might be occurred on the package surface after soldering, reflow or long time use. It neither impacts the performance nor reliability.